

PARTS MANUAL

Model

**RG3200iS
Generator**

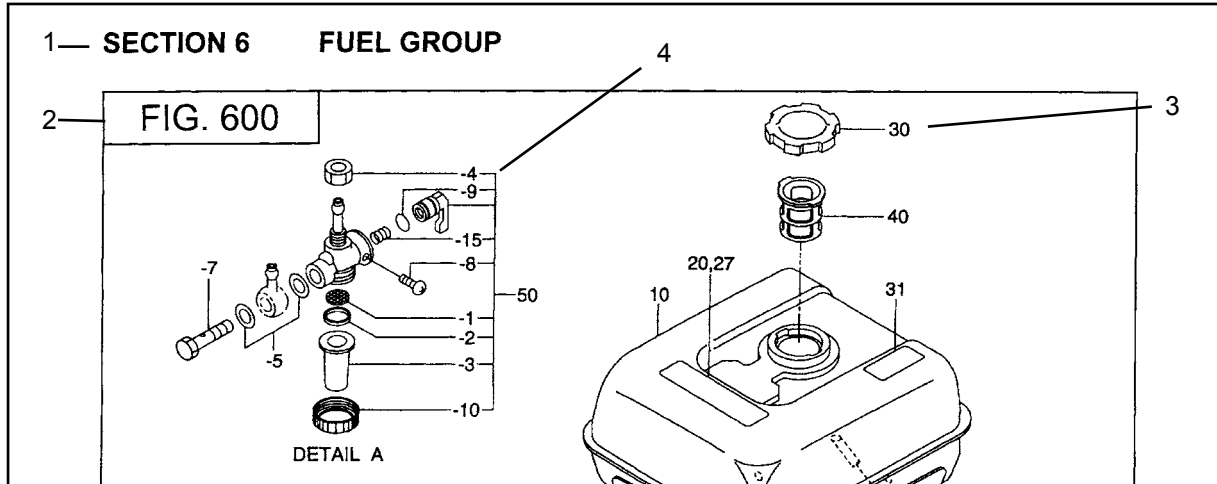
PUB-GP6024
Rev. 06/04

Robin America, Inc.

940 Lively Blvd. • Wood Dale, IL 60191 • Phone: 630-350-8200 • Fax: 630-350-8212
e-mail: sales@robinamerica.com • www.robinamerica.com

© Copyright 2004 Robin America, Inc.

MANUAL LAYOUT



REF.	PART NO.	DESCRIPTION	QTY.	REMARKS	FROM-TO	FIG.
10	267-60103-01	FUEL TANK CP	1	YD, YS TYPE, BLACK		600
	267-60101-01	FUEL TANK CP	1	YELLOW		600
27	073-20039-00	LABEL, WARNING	1	YD, YS TYPE		600
30	043-04300-15	FUEL TANK CAP CP	1			600
31	267-95201-03	LABEL, EMISSION	1	YD, YS TYPE		600
40	064-13600-10	FUEL FILTER	1			600
50	064-20021-01	FUEL STRAINER AY	1			600
-1	064-20002-20	FILTER	1			600
-2	064-20002-30	GASKET	1			600
-3	064-20019-10	CUP	1			600

1. SECTION NAME Parts are broadly classified according to their functions. Refer to the Group Index (table of contents) for respective section name.
2. FIG. No. The FIG. number indexes the reference and part numbers to the illustration. Figure numbers that vary only in the tens place (i.e.: 700 and 710) are in a group of the same section (i.e.:Electrical Device Group).
3. REF. No. The Reference number identifies the part illustration with the corresponding part number in the part list.
4. SUBASSEMBLY SUBASSEMBLY parts of part assembly are listed below the assembly part. The subassembly part reference number is indicated by the number led by "-" such as "-1", "-2".
5. PART NUMBER It is the number assigned for sales unit. Use the PART No. when making an order.
6. DESCRIPTION It is designation of the part.
7. QTY. Quantity of each part used for each product.
8. REMARKS This gives a distinctive feature and/or a supplementary comment for the type, the specification, and the part concerned. It also shows part number(s) interchangeable for the part.
9. FROM-TO This section shows the CODE No. to indicate the history of progress in which improved parts have been introduced in the product. The FROM-TO CODE No. helps to identify PART No. being employed in the product concerned. See the examples below:
 - The part is used in the product irrespective of CODE No.
 - 2101- The part is used in the products with CODE No. of 2101 and after this number.
 - 2100 The part is used in the products with CODE No. of 2100 and before this number.

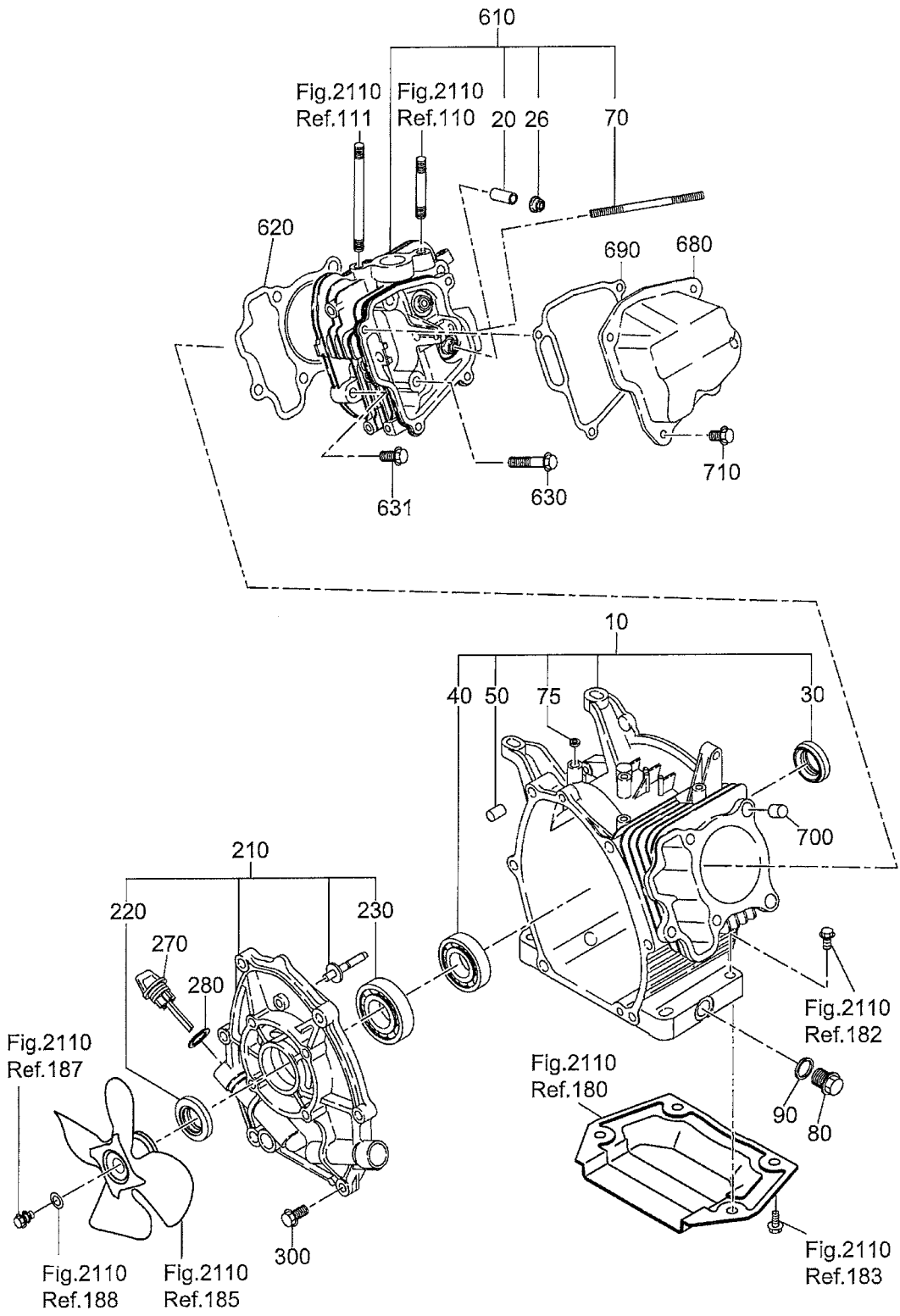
GROUP INDEX

Group Name	Page
CRANKCASE	6
CRANKSHAFT, PISTON	8
INTAKE, EXHAUST	10
GOVERNOR, OPERATION.....	12
COOLING, STARTING	14
ELECTRIC DEVICE	16
ENGINE.....	18
GENERATOR	20
BASE, FRAME	22
CONTROL.....	26
COVER.....	28
FUEL TANK	30
ACCESSORY GROUP	32

INDEX OF DESCRIPTION SYMBOLS			
SYMBOL	DESCRIPTION	SYMBOL	DESCRIPTION
AY	ASSEMBLY	P=	PITCH (in mm)
CP.....	COMPLETE	P.T.O. (PTO)	POWER TAKE OFF
EX.....	EXPORT (from Japan)	REF.....	REFERENCE
FIG.....	FIGURE	R.H. (RH).....	RIGHT HAND SIDE
FR.....	FRONT	RR.	REAR
"	INCH	STD.	STANDARD
INCL.	INCLUDE	SW.....	SWITCH
~L.....	LITER	T=	THICKNESS (in mm)
L=	LENGTH (in. mm)	UN	UNIT
L.H. (LH).....	LEFT-HAND SIDE	U.S.....	UNDER SIZE
MECH.....	MECHANICAL	~V	VOLTAGE
NO (NON).....	NONE	~W	WATT
OPT.....	OPTIONAL	W/	WITH
O.S.	OVER SIZE	W/O	WITHOUT

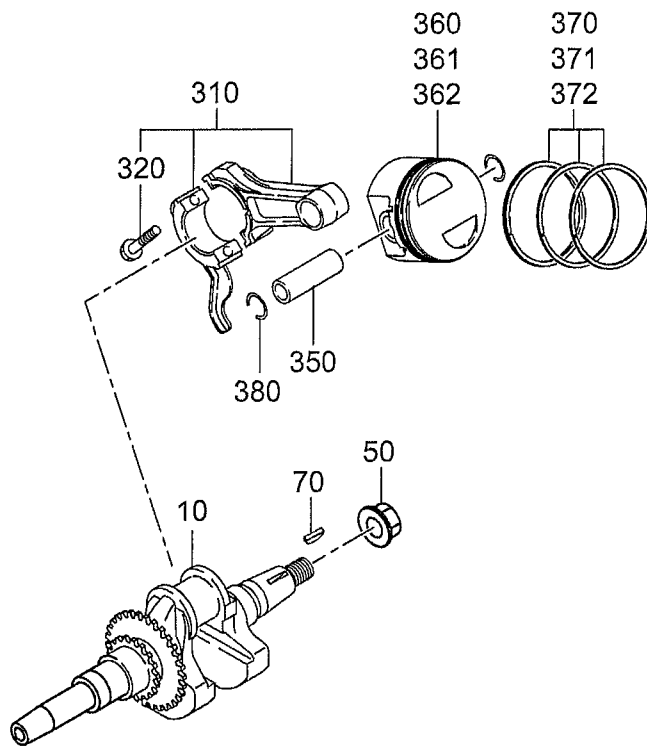
SECTION 1 CRANKCASE GROUP

FIG. 100



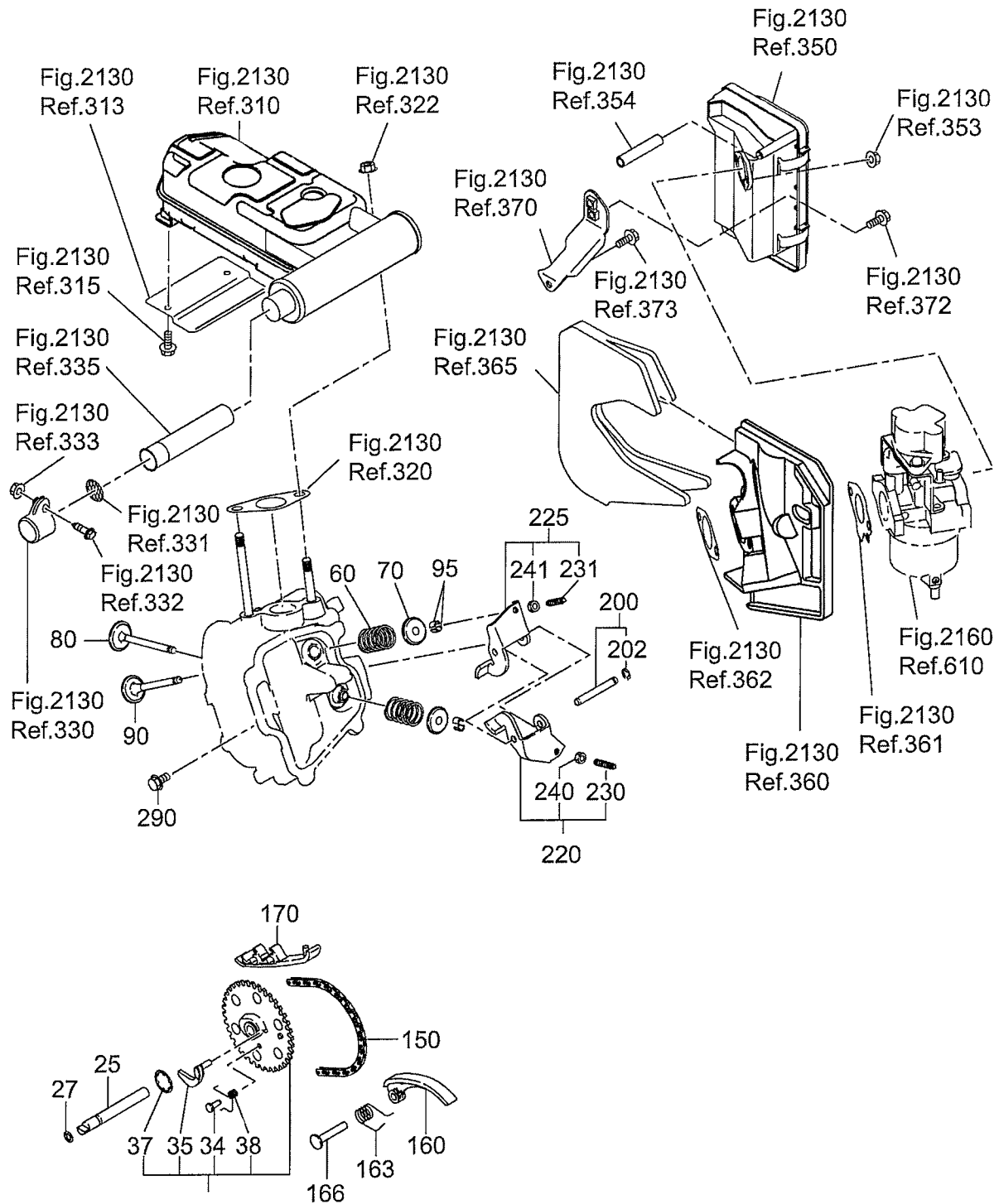
SECTION 2 CRANKSHAFT, PISTON GROUP

FIG. 200



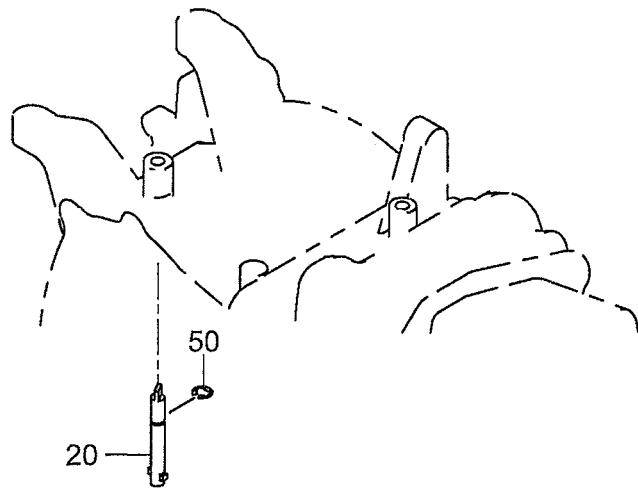
SECTION 3 INTAKE, EXHAUST GROUP

FIG. 300



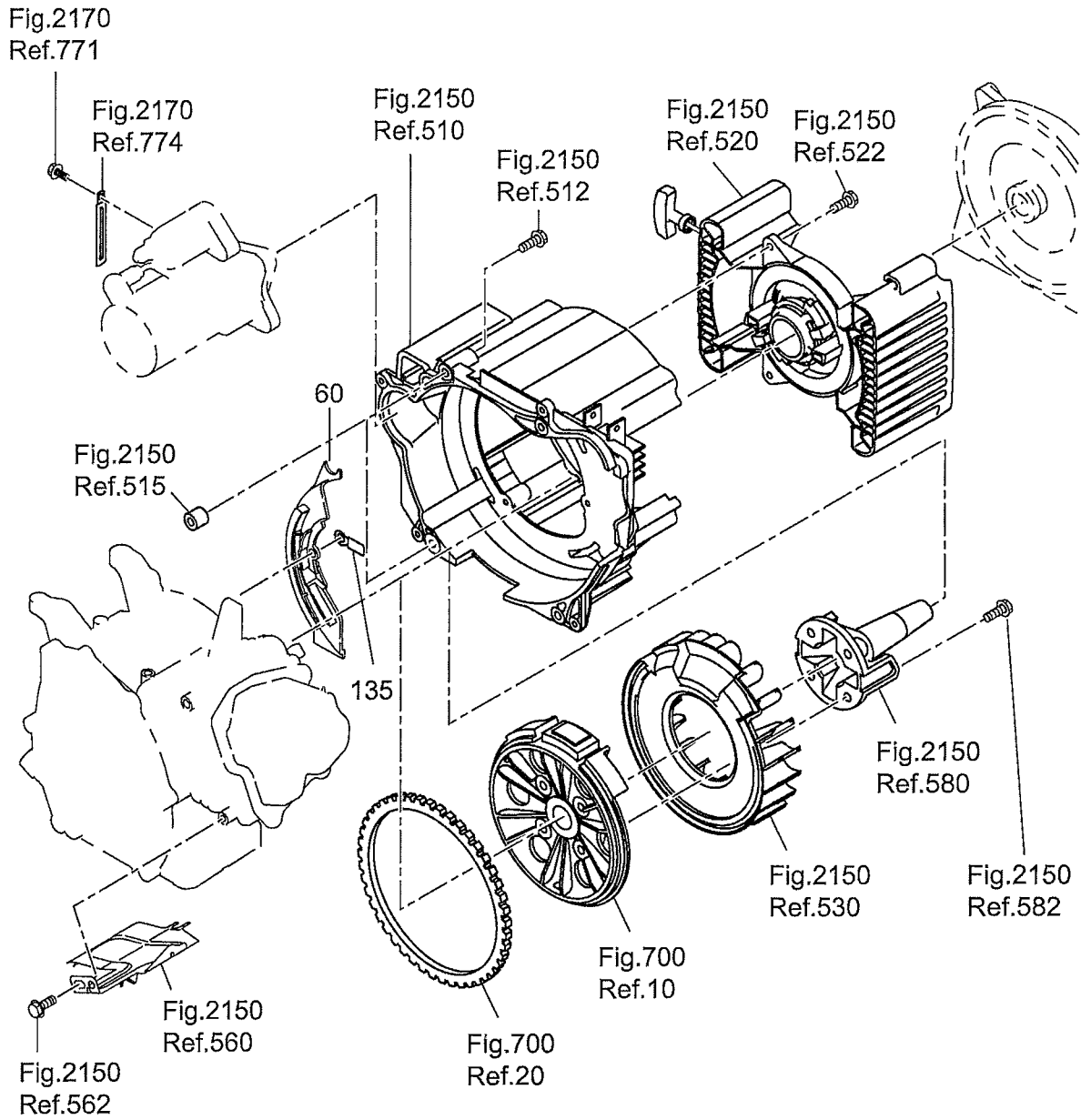
SECTION 4 GOVERNOR, OPERATION GROUP

FIG. 400



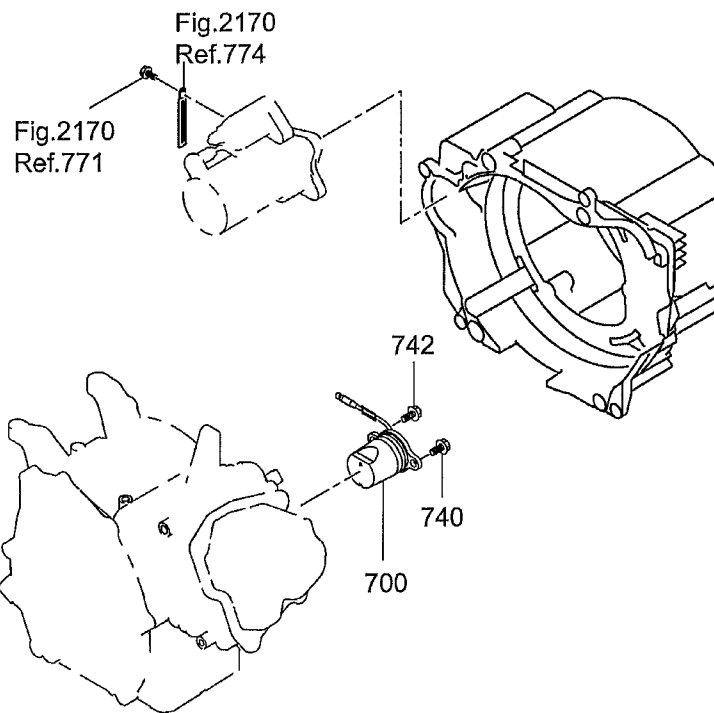
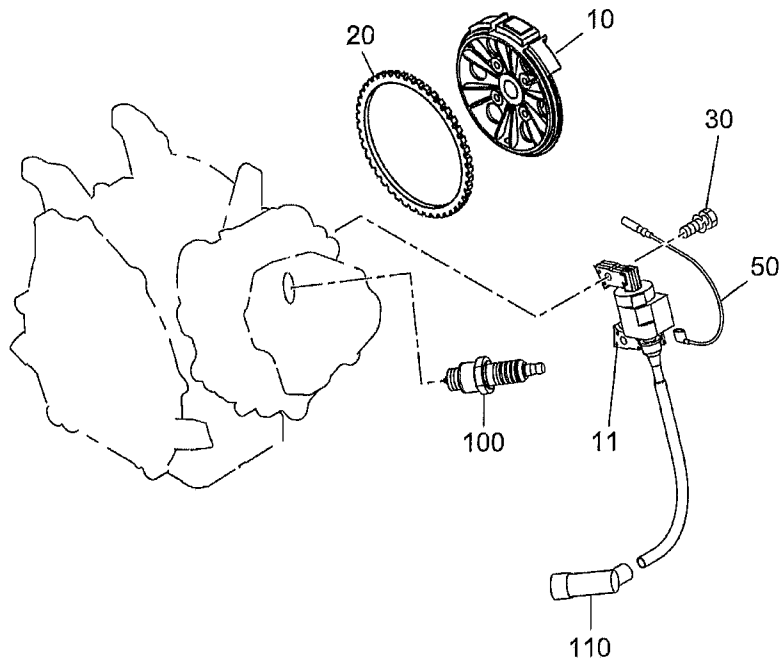
SECTION 5 COOLING, STARTING GROUP

FIG. 500



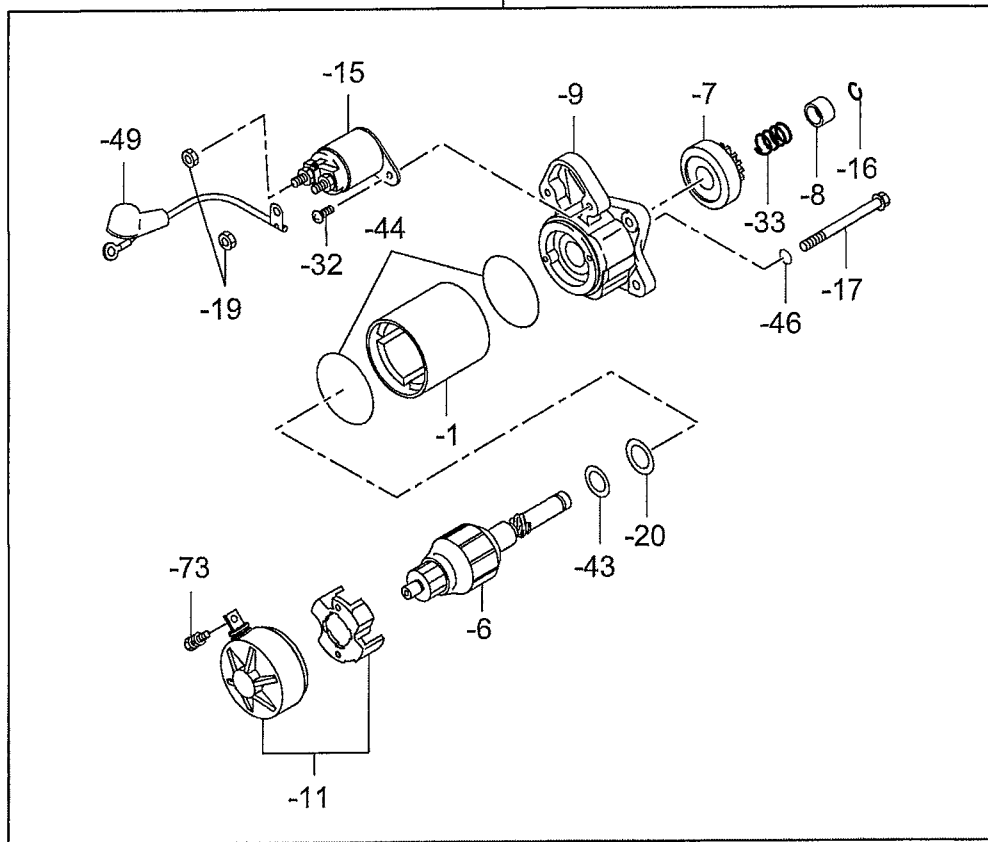
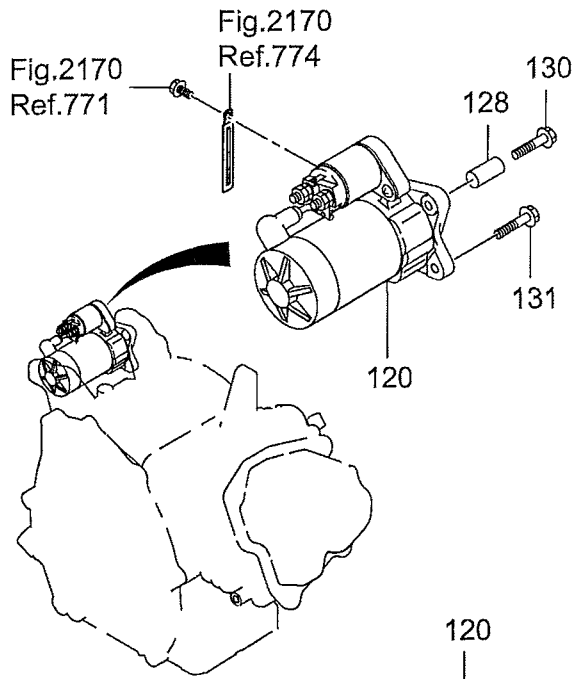
SECTION 6 ELECTRIC DEVICE GROUP

FIG. 700



SECTION 6 ELECTRIC DEVICE GROUP

FIG. 720



SECTION 7 ENGINE GROUP

FIG. 2110

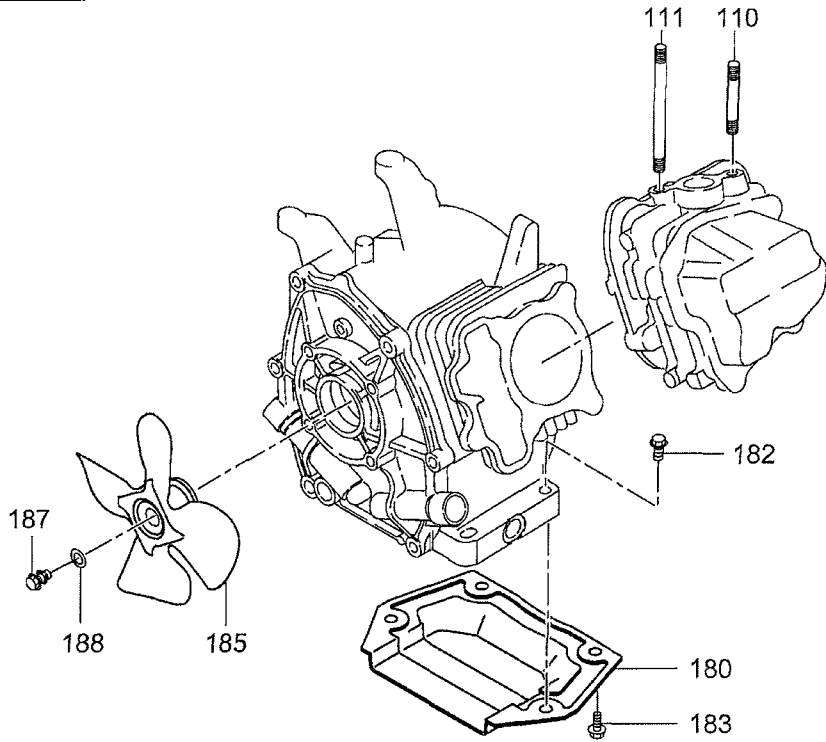
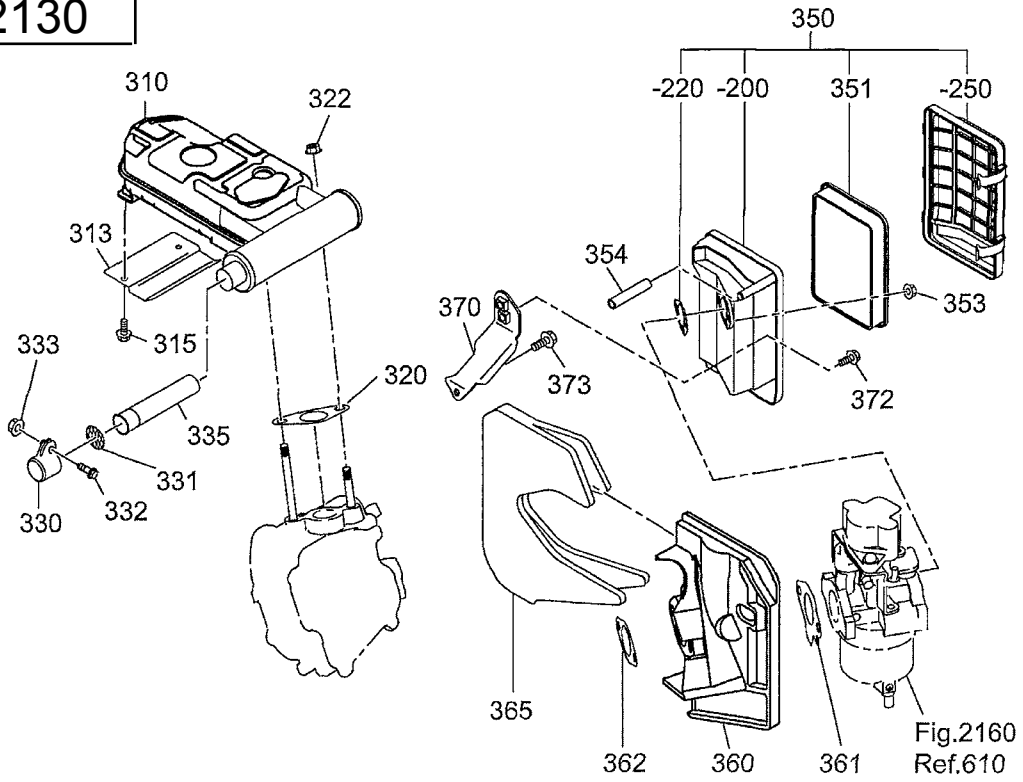


FIG. 2130

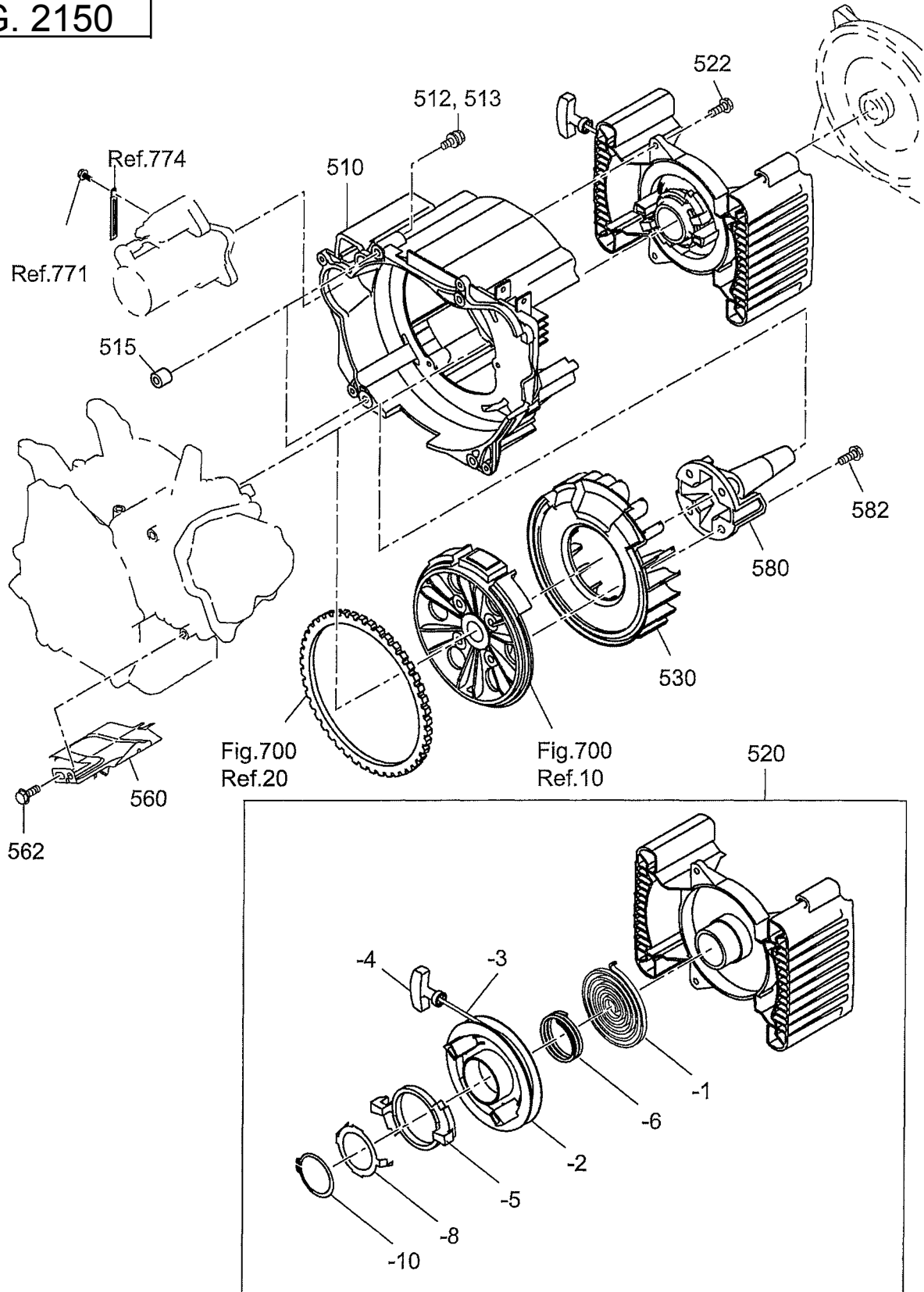


SECTION 7 ENGINE GROUP

REF	PART NO	DESCRIPTION	QTY	REMARKS	FROM - TO	FIG
110	010-50802-90	STUD	1			2110
111	010-50805-10	STUD	1			2110
180	33B-35001-01	BOTTOM EXTERIOR PLATE	1			2110
182	011-00802-70	FLANGE BOLT	2			2110
183	011-00802-70	FLANGE BOLT	2			2110
185	34G-54101-01	FAN, silent	1			2110
187	001-14082-50	BOLT and WASHER	1			2110
188	020-00800-80	WASHER	1			2110
310	278-30412-11	MUFFLER	1			2130
313	33B-52601-03	BAFFLE	1			2130
315	011-00601-60	FLANGE BOLT	2			2130
320	277-35201-13	GASKET, muffler	1			2130
322	980-20082-80	FLANGE NUT	2			2130
330	277-37210-03	TAIL SCREEN COVER	1			2130
331	277-37220-03	SCREEN	1			2130
332	004-35051-60	SCREW and WASHER	1			2130
333	002-18050-00	NUT	1			2130
335	279-37603-01	SPARK ARRESTER	1			2130
350	277-32622-20	AIR CLEANER AY	1			2130
-200	277-32632-08	BASE	1			2130
-220	277-32604-08	PACKING	1			2130
-250	277-32643-18	COVER	1			2130
351	277-32661-17	ELEMENT	1			2130
353	002-38060-00	FLANGE NUT	2			2130
354	085-10800-00	RUBBER PIPE	1			2130
360	277-32910-03	INSULATOR	1			2130
361	277-35902-H3	GASKET 1	1			2130
362	277-35903-H3	GASKET 2	1			2130
365	278-39701-03	SPONGE, insulator	1			2130
370	277-39004-01	BRACKET, air cleaner	1			2130
372	011-00600-50	FLANGE BOLT	1			2130
373	011-00600-20	FLANGE BOLT	1			2130

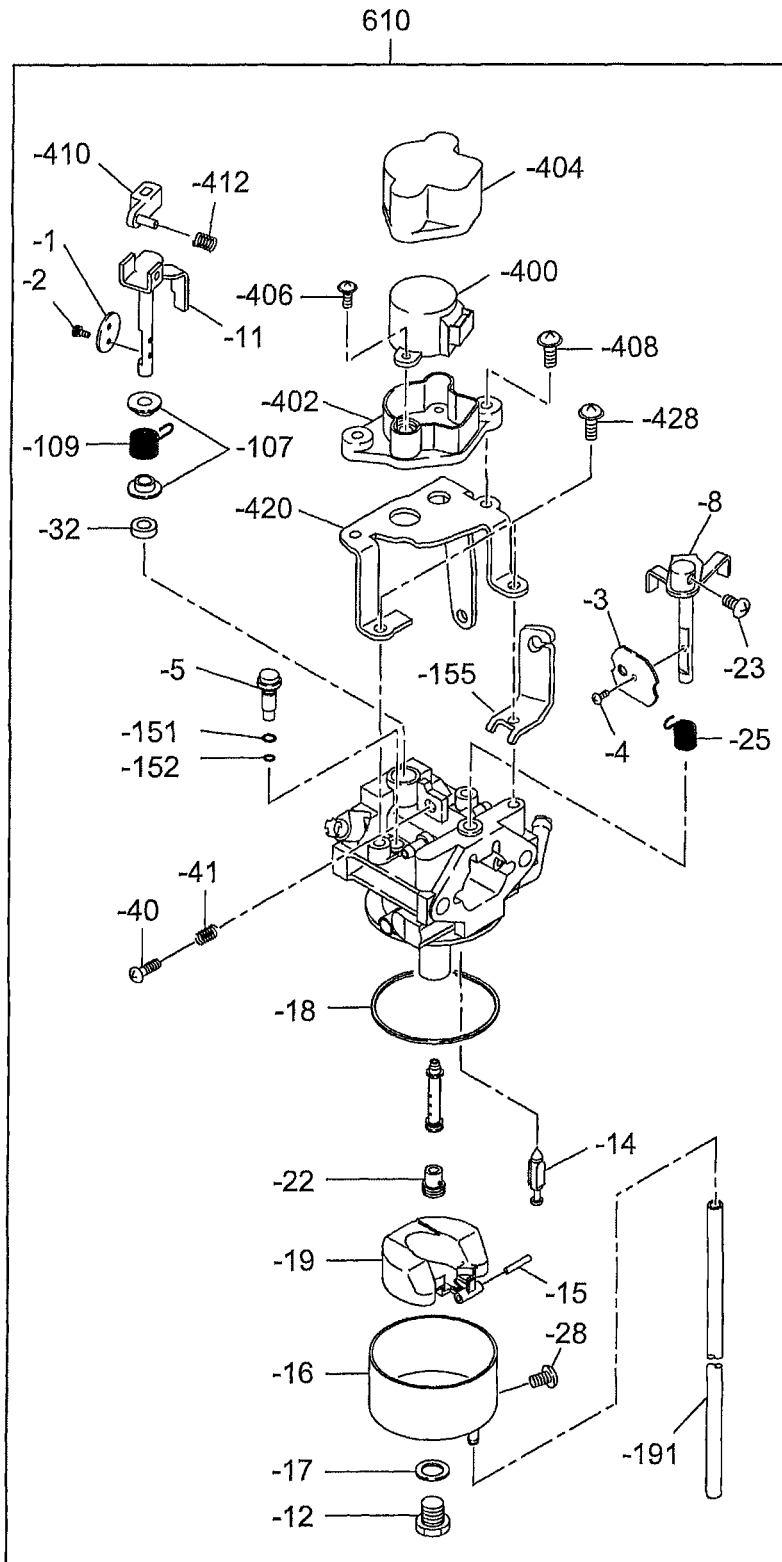
SECTION 7 ENGINE GROUP

FIG. 2150



SECTION 7 ENGINE GROUP

FIG. 2160

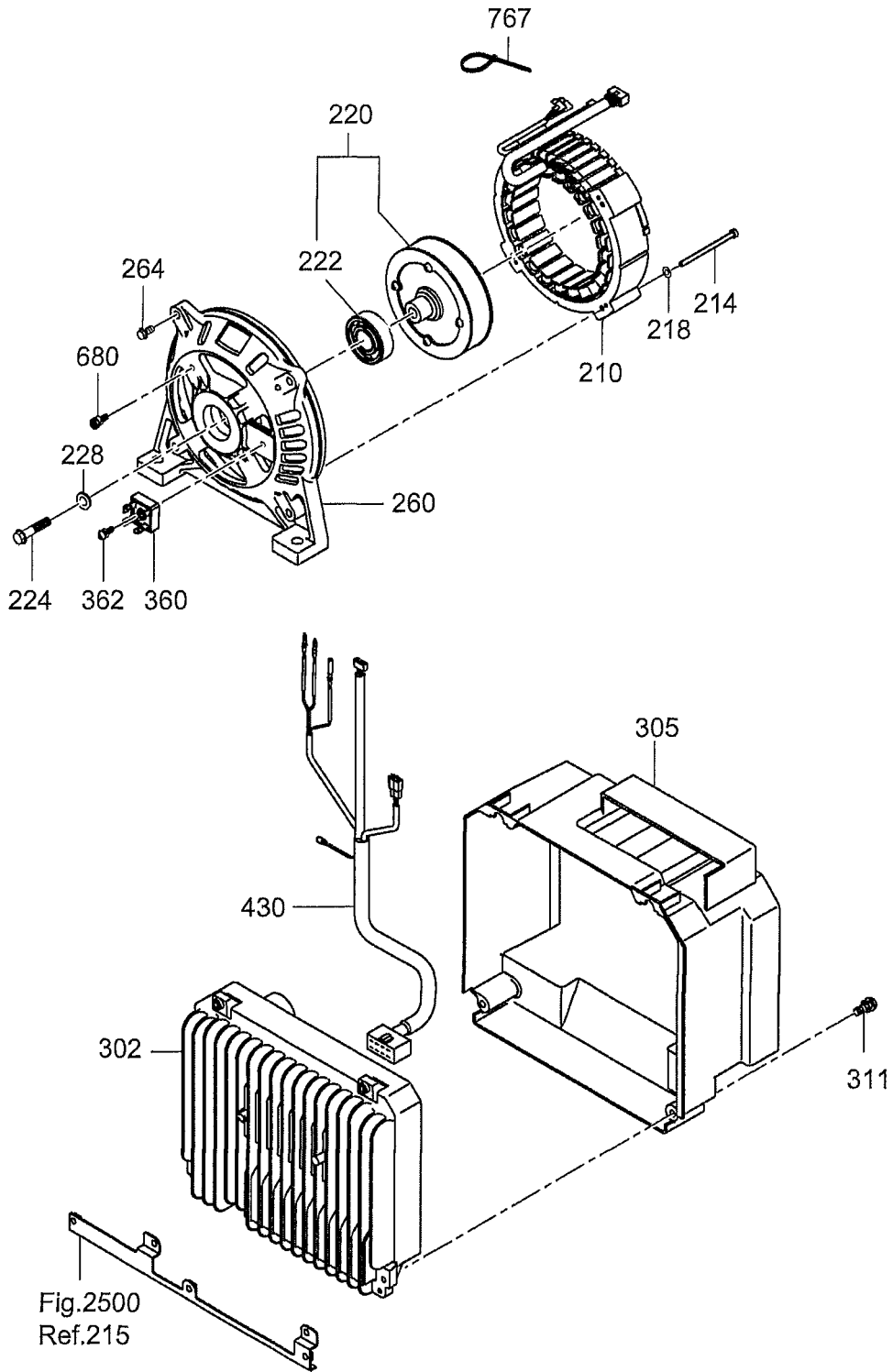


SECTION 7 ENGINE GROUP

REF	PART NO	DESCRIPTION	QTY	REMARKS	FROM - TO	FIG
610	278-62330-00	CARBURETOR	1			2160
-1	277-62536-08	THROTTLE VALVE	1			2160
-2	284-62455-08	SCREW and WASHER	2			2160
-3	284-62525-08	CHOKE VALVE	1			2160
-4	284-62455-08	SCREW and WASHER	1			2160
-5	278-62421-08	SLOW JET	1			2160
-8	284-62520-08	CHOKE LEVER	1			2160
-11	277-62532-08	THROTTLE SHAFT	1			2160
-12	284-62355-08	BOLT and WASHER	1			2160
-14	279-62500-08	NEEDLE	1			2160
-15	284-62515-08	PIN	1			2160
-16	284-62550-08	FLOAT BODY	1			2160
-17	251-62350-08	PACKING	1			2160
-18	284-62540-08	CHAMBER PACKING	1			2160
-19	284-62505-08	FLOAT AY	1			2160
-22	278-62402-08	MAIN JET	1			2160
-23	284-62456-08	SCREW	1			2160
-25	284-62445-08	SPRING, choke	1			2160
-28	251-62466-08	BOLT	1			2160
-32	251-62559-08	SEAL	1			2160
-40	277-62581-08	ADJUST SCREW	1			2160
-41	251-62449-08	SPRING, choke	1			2160
-107	284-62561-08	COLLAR	2			2160
-109	284-62315-08	THROTTLE SPRING	1			2160
-151	284-62451-08	O RING	1			2160
-152	284-62450-08	O RING	1			2160
-155	277-62451-08	BRACKET, wire	1			2160
-191	277-62590-08	VINYL PIPE	1			2160
-400	284-62580-08	MOTOR	1			2160
-402	284-62576-08	BRACKET, motor	1			2160
-404	277-62595-08	COVER, motor	1			2160
-406	284-62458-08	SCREW	2			2160
-408	284-62457-08	SCREW	2			2160
-410	284-62555-08	JOINT LEVER	1			2160
-412	284-62446-08	SPRING, choke	1			2160
-420	284-62575-08	BRACKET	1			2160
-428	284-62457-08	SCREW	3			2160
771	011-00600-10	FLANGE BOLT	1			2170
774	056-60002-50	CLAMP	1			2170

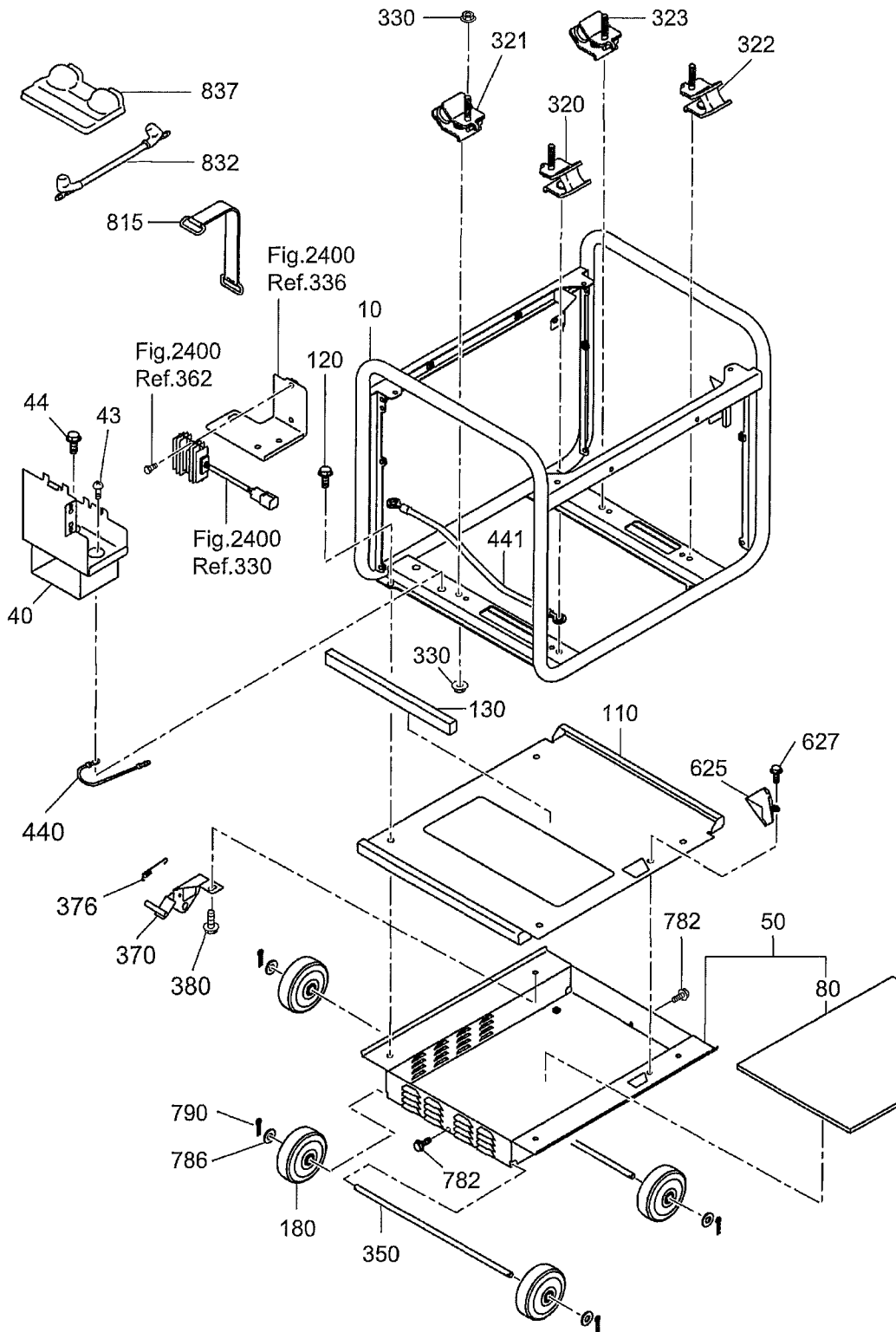
SECTION 8 GENERATOR GROUP

FIG. 2200



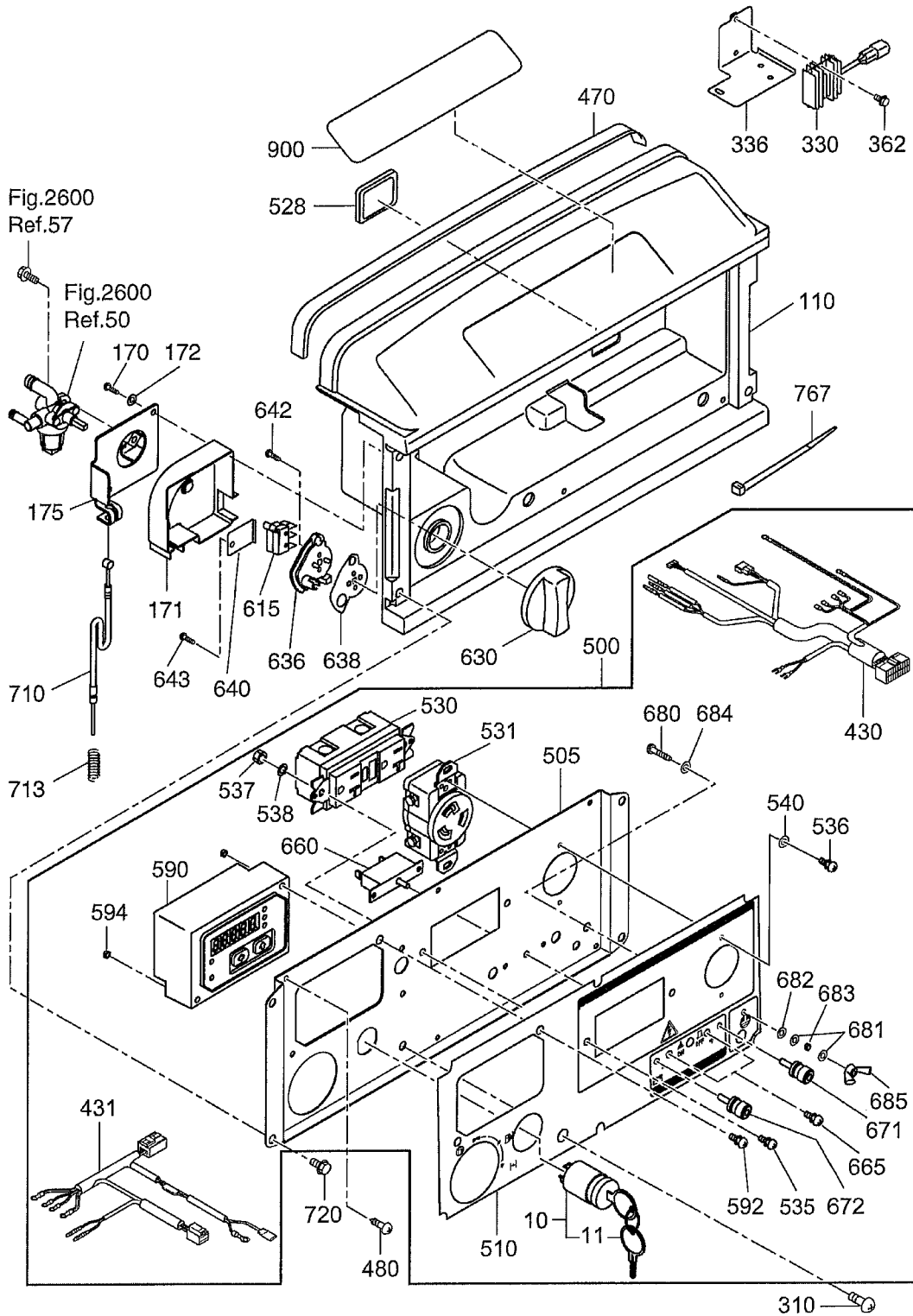
SECTION 9 BASE, FRAME GROUP

FIG. 2300



SECTION 9 CONTROL GROUP

FIG. 2400

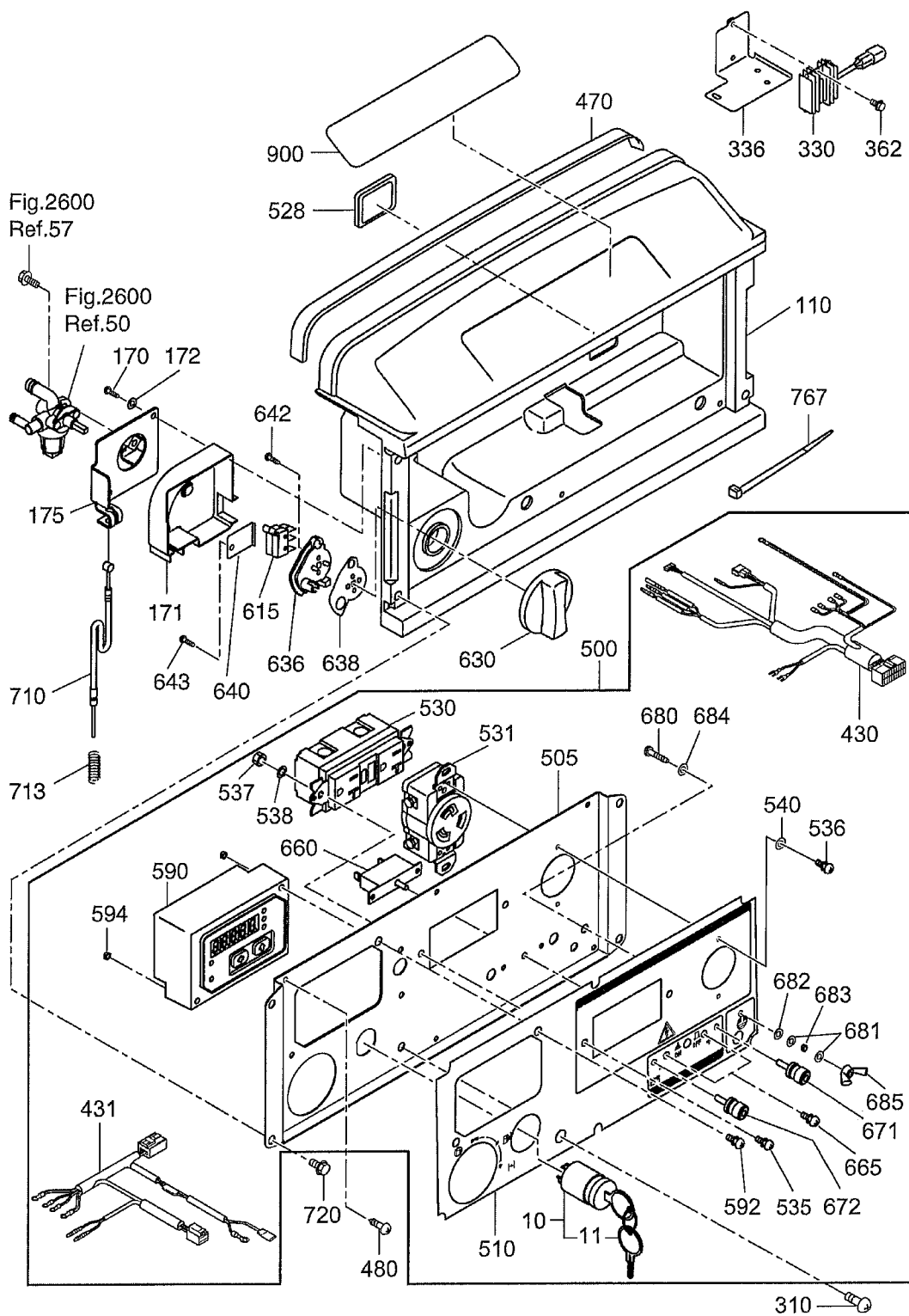


SECTION 9 CONTROL GROUP

REF	PART NO	DESCRIPTION	QTY	REMARKS	FROM - TO	FIG
10	066-00003-30	KEY SWITCH	1			2400
11	066-00099-80	KEY	2			2400
110	33B-50001-01	FRONT COVER, upper	1			2400
170	015-00400-70	TAPPING SCREW	2			2400
171	33B-46001-03	COVER, cock	1			2400
172	003-10040-00	WASHER	2			2400
175	33B-46012-01	BRACKET, cock	1			2400
310	004-36061-60	SCREW and WASHER	2			2400
330	33B-47202-01	REGULATOR	1			2400
336	33B-35801-02	BRACKET, regulator	1			2400
362	011-00600-50	FLANGE BOLT	2			2400
430	34B-48001-01	WIRE HARNESS	1			2400
431	33B-48051-01	WIRE HARNESS	1			2400
470	34B-57311-03	SEAL SPONGE	1			2400
480	353-49904-08	TAPPING SCREW	6			2400
500	34C-45921-00	CONTROL PANEL	1			2400
505	33B-45013-01	PANEL PLATE	1			2400
510	34B-49119-03	SHEET	1			2400
528	227-75001-03	GROMMET	1			2400
530	388-85003-01	AC CONNECT, GFCI	1			2400
531	33C-49901-01	AC CONNECT, NEMA	1			2400
535	004-35041-00	SCREW and WASHER	2			2400
536	356-59937-08	SCREW	2			2400
537	002-27040-00	NUT	2			2400
538	003-10040-00	WASHER	2			2400
540	326-00335-08	SPRING WASHER	2			2400
590	KU3-11760-11	MONITOR C/U	1			2400
592	013-10400-80	SCREW and WASHER	2			2400
594	002-17040-00	NUT	2			2400
615	33K-41811-03	MICRO SWITCH	2			2400
630	33K-42010-03	CONTROL DIAL	1			2400
636	33K-42020-03	CHOKE REEL	1			2400
638	33K-42030-13	PLATE	1			2400
640	33B-46015-01	BRACKET, micro	1			2400
642	33K-41814-08	TAPPING SCREW	2			2400
643	015-00400-70	TAPPING SCREW	1			2400
660	352-45620-08	CIRCUIT BREAKER	1			2400
665	31B-79011-03	SCREW	2			2400
671	363-45701-08	TERMINAL BOLT	1	Red		2400
672	363-45700-08	TERMINAL BOLT	1	Black		2400
680	388-88001-03	SCREW and WASHER	1			2400
681	332-00050-08	SPRING WASHER	2			2400
682	353-49903-08	WASHER	1			2400
683	353-49902-08	NUT	1			2400
684	003-30050-00	LOCK WASHER	1			2400
685	353-49901-03	WING NUT	1			2400

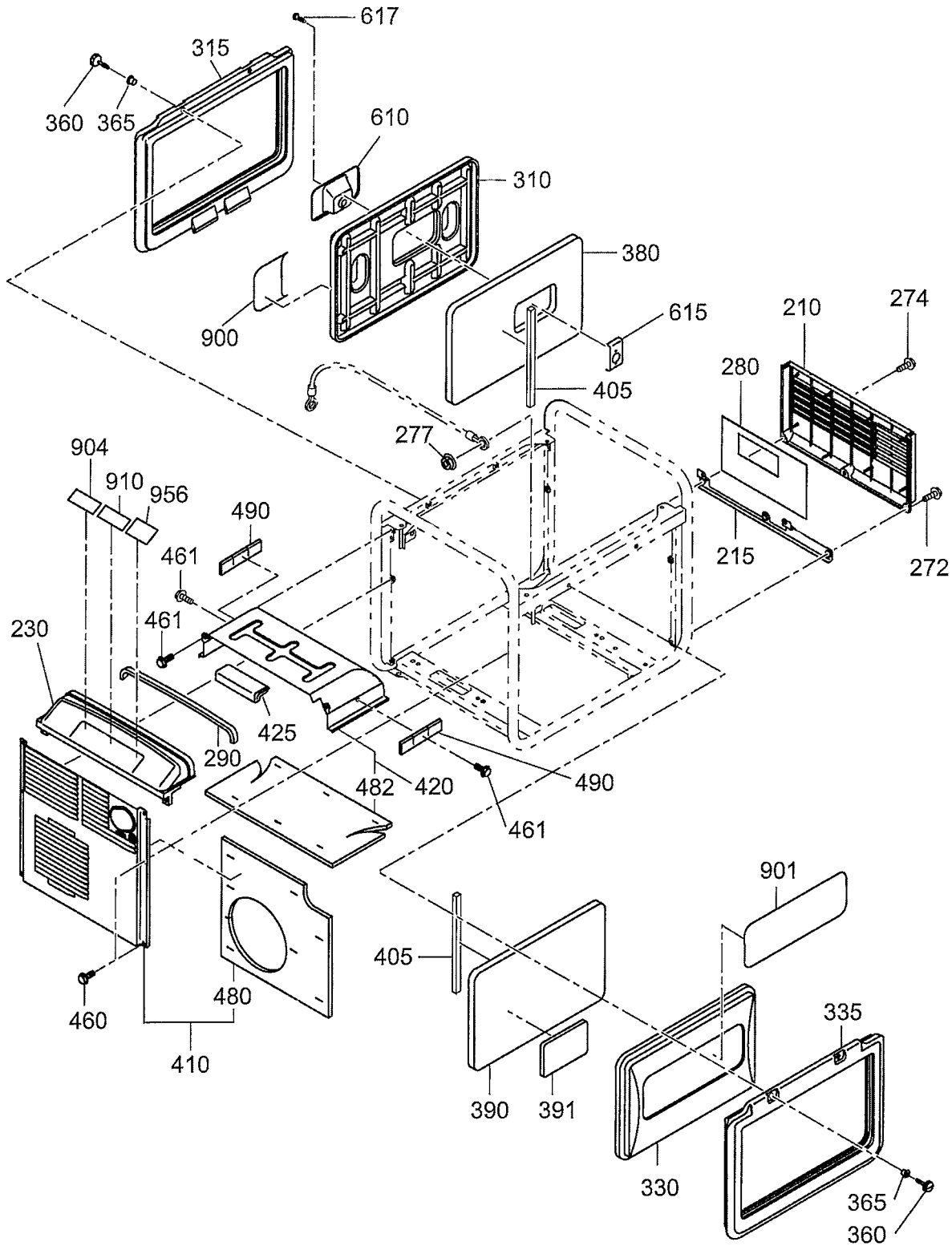
SECTION 9 CONTROL GROUP

FIG. 2400



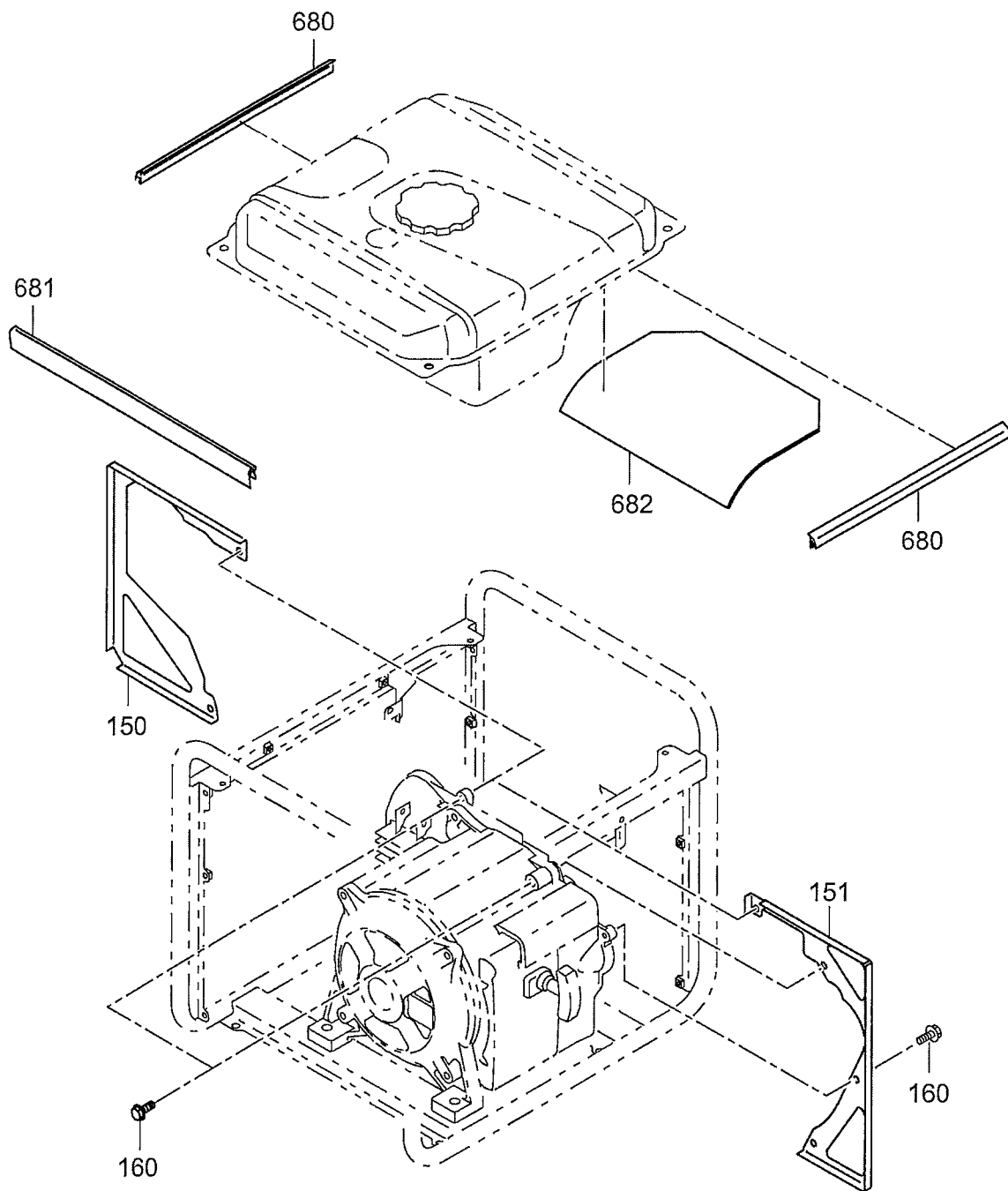
SECTION 10 COVER GROUP

FIG. 2500



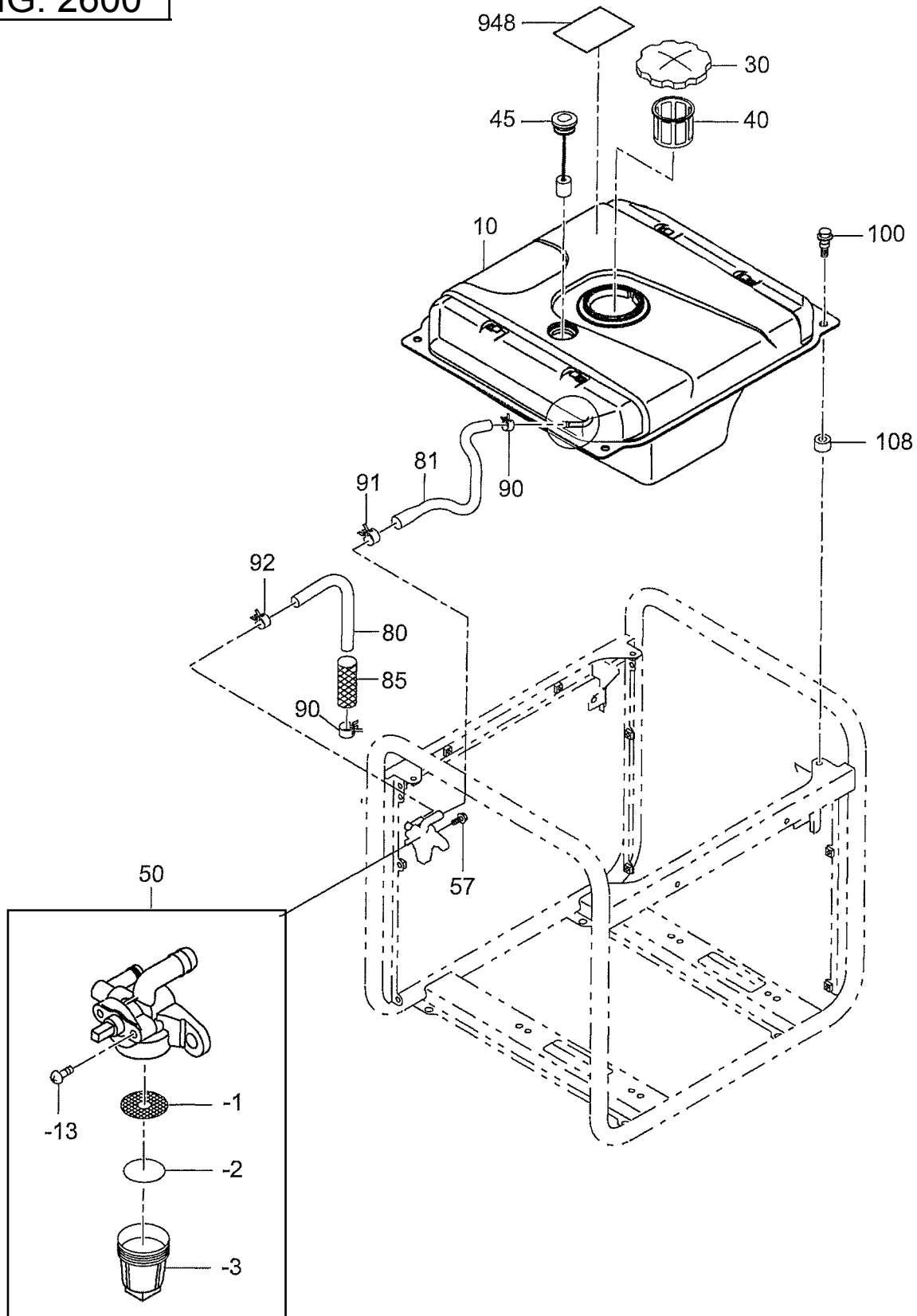
SECTION 10 COVER GROUP

FIG. 2510



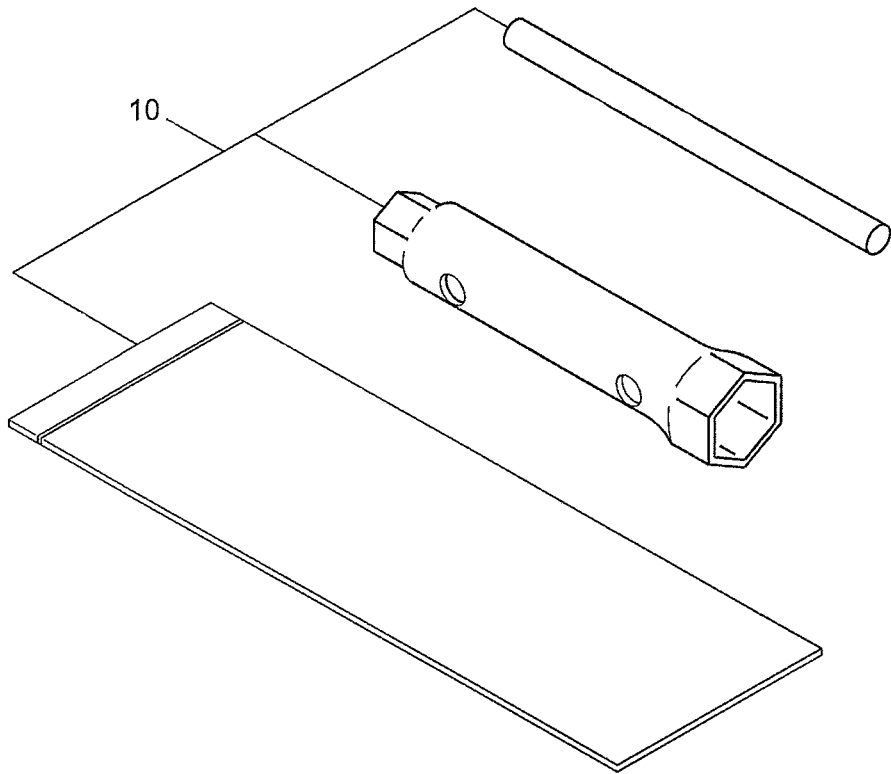
SECTION 11 FUEL TANK GROUP

FIG. 2600



SECTION 12 ACCESSORIES GROUP

FIG. 2900



PRINTED IN THE USA